

= 1 sq foot

General Setup Instructions

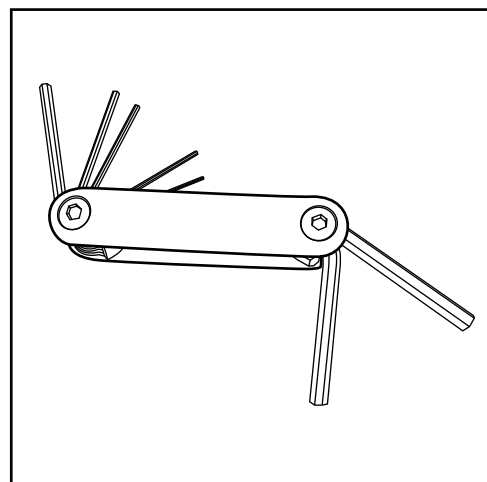
- Read entire setup instruction manual prior to unpacking parts and pieces.
- The setup instructions are created specifically for this configuration.
- Setup instructions are laid out sequentially in steps, including exploded views with detailed explanation for assembly.

Cleaning & Packing

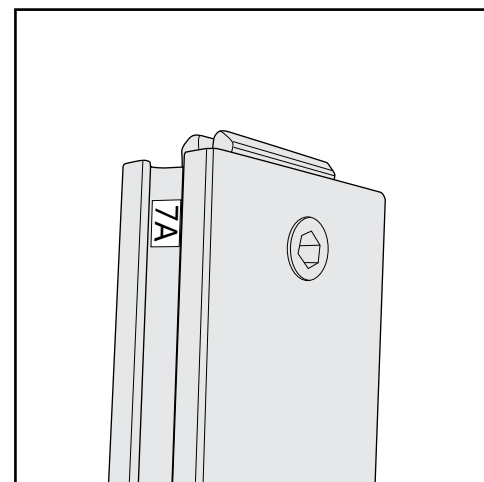
- For Cleaning Metal, Plex, & Laminate Parts: Use a **MILD NON-ABRASIVE** cleanser and soft cloth/paper towel to clean all surfaces.
- Keep exhibit components away from heat and prolonged sun exposure. **Heat and UV exposure will warp and fade components.**
- Retain all provided Packing Materials. All provided packing materials are for ease of repacking & component protection.

Disassembly

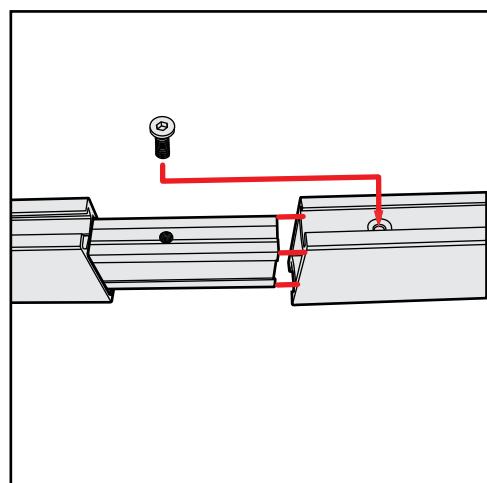
- For loss prevention, tighten all set screws and locks during disassembly.



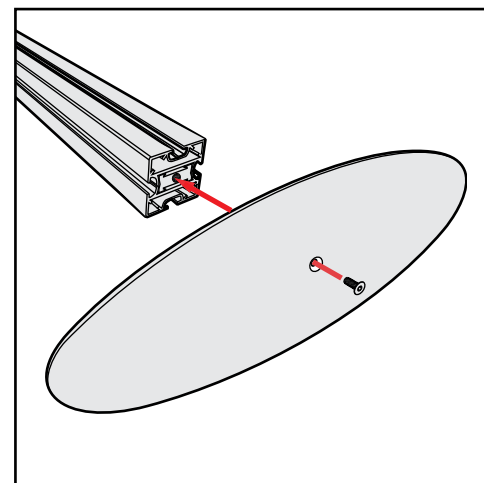
Hex Tool - Essential for Assembly



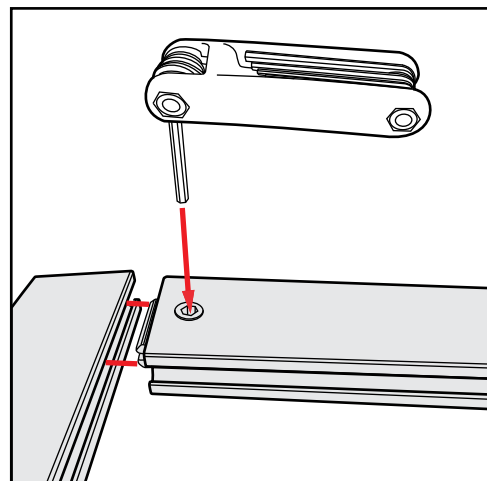
Part Identification - Numbering



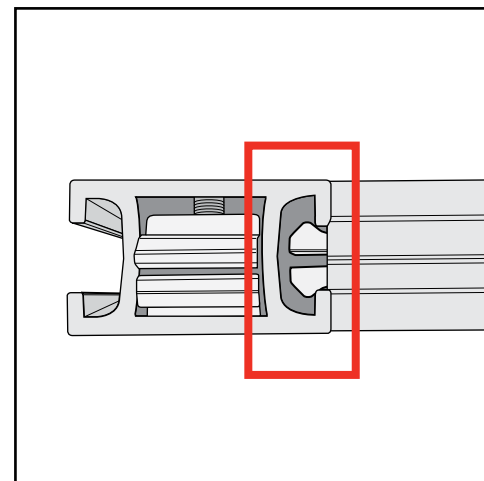
Spline Connection



Base Plate & Extrusion Connection



Extrusion & Lock Connection



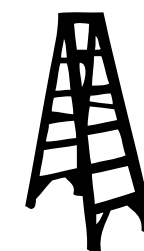
Engaged Lock



WARNING



DO NOT USE POWER TOOLS



LADDERS OR LIFTS
MAY BE REQUIRED



ALL CONNECTIONS MUST
BE TIGHTLY SECURED

euro lt | HYBRIDS

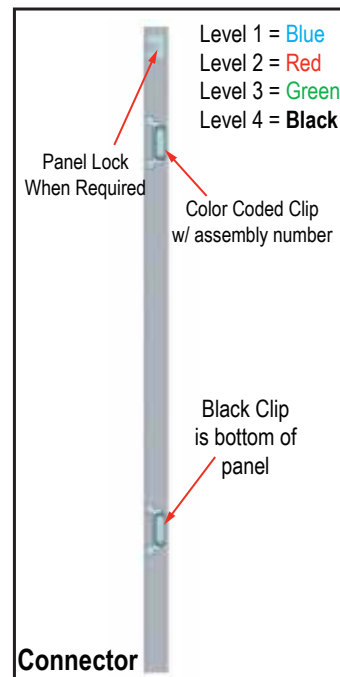
Using Your Setup Instructions

The Euro LT Hybrids Setup Instructions are created specifically for your configuration. They are laid out sequentially in levels, including exploded views, and a logical series of detailed steps to assemble the main structure and components. We encourage you to study the instructions **before** attempting to assemble your exhibit.

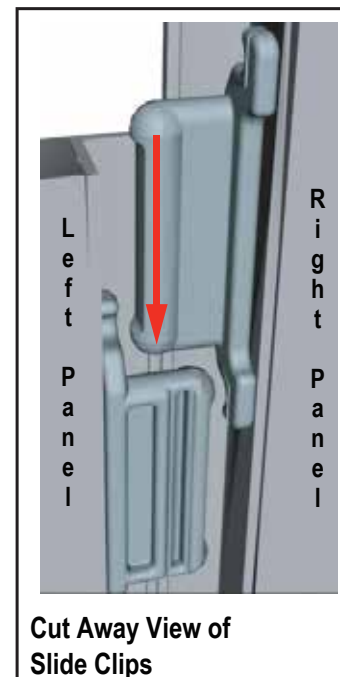
Each page reminds you to tighten the setscrews after disassembling your exhibit to prevent loss of the locks and setscrews (see below in RED). This is VERY IMPORTANT.

Cleaning and Packing Your Display

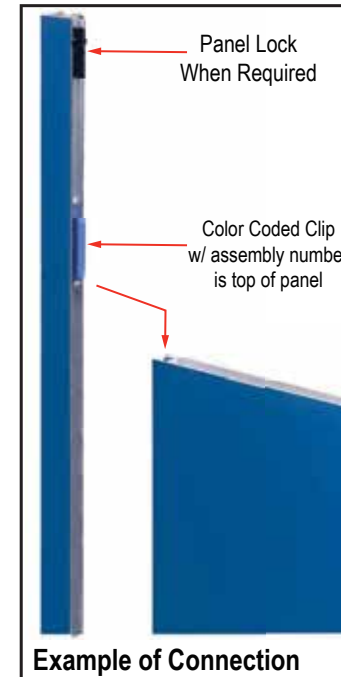
- 1) Use care when cleaning aluminum extrusion or acrylic inserts. Use only non-abrasive cleaners.
- 2) When cleaning laminate inserts, countertops, or panels use mild cleansers and a soft material such as cotton.
- 3) Keep all display components away from extreme heat and long exposure to sunlight to avoid warping and fading.
- 4) Retain all packing material. It will make re-packing much easier and will reduce the likelihood of shipping damage.



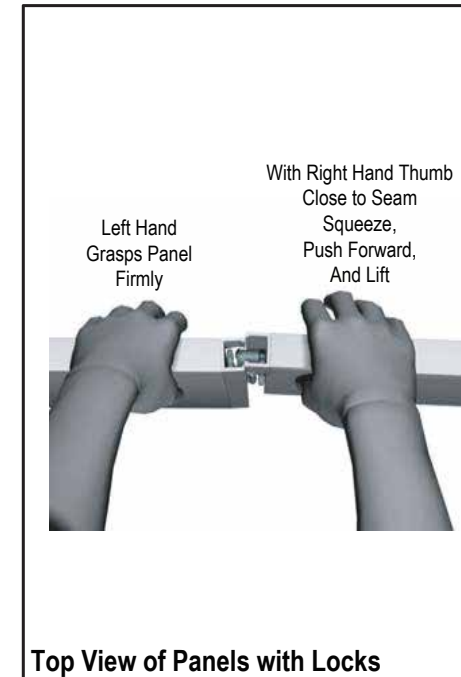
Each component has 2 clips, the lower clip is ALWAYS black. The top clip is color coded to distinguish which level. The color coded clip also contains the numbered label.



Components connect together by aligning them and sliding downward connecting clips together.



Configurations are assembled from left to right, usually starting with #1 and following the numbered sequence.

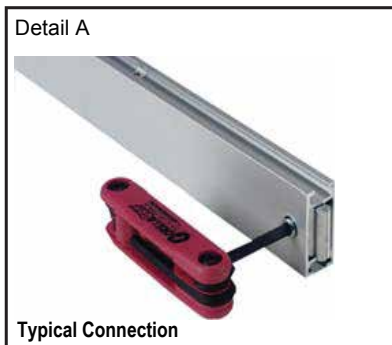


The first level of components contain panel locks that are located at the top of the panel for extra stability and seamless connection. When disassembling panels twist top connection slightly and lift right panel upward.

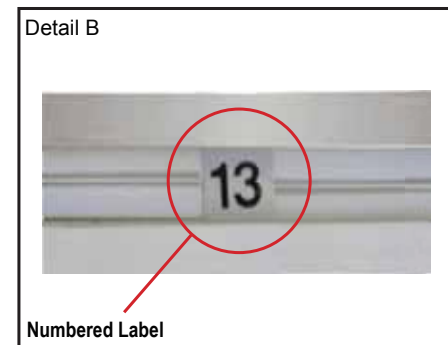
General Setup Instructions for Extrusion System



Most exhibits can be assembled with the supplied Hex Key Tool. Occasionally, a flat head screwdriver may be required.



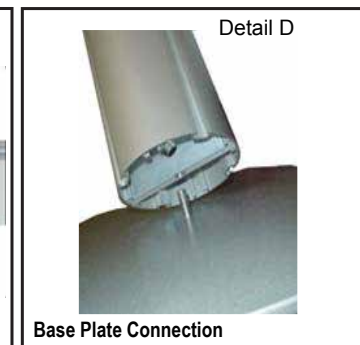
Most horizontal extrusion connections have a patented expandable lock. This lock inserts into the groove of an opposing extrusion. Tightening the lock with the Hex Key Tool expands the lock and creates a strong positive connection.



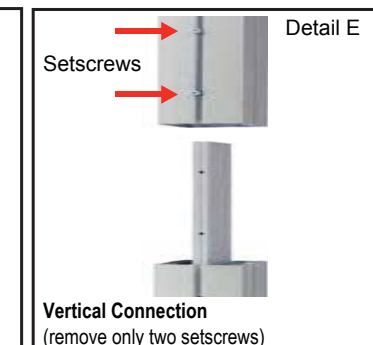
Each extrusion contains a numbered label which corresponds with setup instructions. The label is located within a groove of the extrusion (when possible). With extrusion components the labels contain Black numbers unless otherwise specified.



Remove only (1) setscrew when disassembling. Replace setscrew in extrusion after assembling it. Before packing, replace setscrew in extrusion to avoid losing it.



Attach base plate to round or square vertical extrusion using the bolt provided. Be careful not to strip the threads.



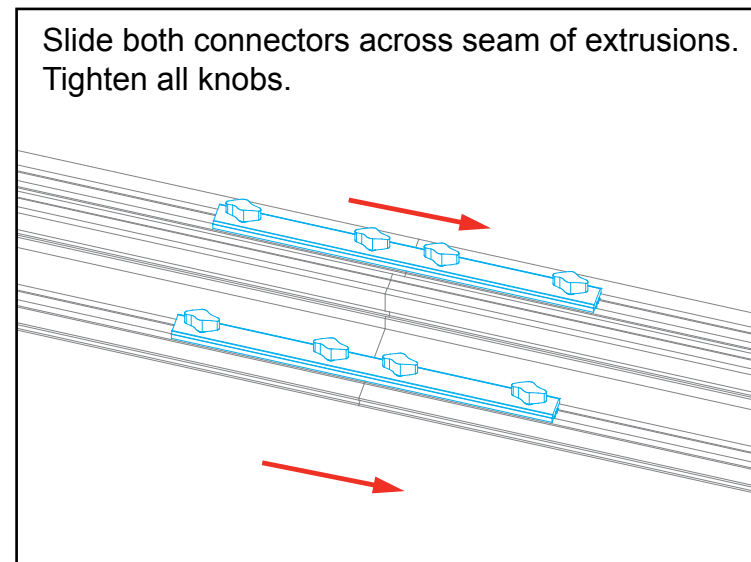
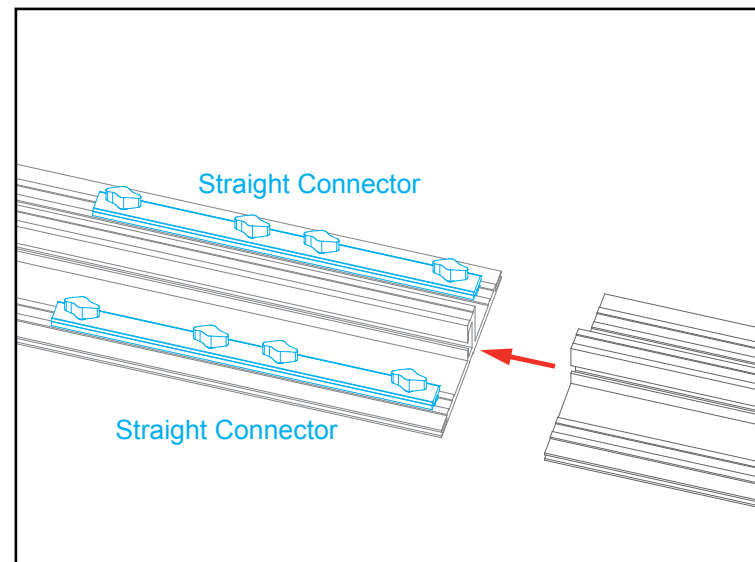
When vertical extrusions are packed in portable cases rather than crates or tubs, they must be broken down into smaller sections which then require assembly.

Remove only (2) setscrews when disassembling. Replace setscrews in extrusion after assembling it. Before packing, replace setscrews in extrusion to avoid losing them.

Straight Connection

When assembling frame, first attach all **straight connectors**, then attach **corner connectors**.

- 1) Place extrusions end-to-end.
- 2) Loosen all knobs, then slide **straight connectors** across the seam of extrusions.
- 3) Tighten all knobs to secure connection.



Slide both connectors across seam of extrusions.
Tighten all knobs.

Disassembly

- 1) Loosen all knobs.
- 2) Slide connectors off of one extrusion.
- 3) Tighten knobs to prevent loss during packing & shipping.

Keep straight connectors in groove of extrusion. Do not remove connectors during disassembly.

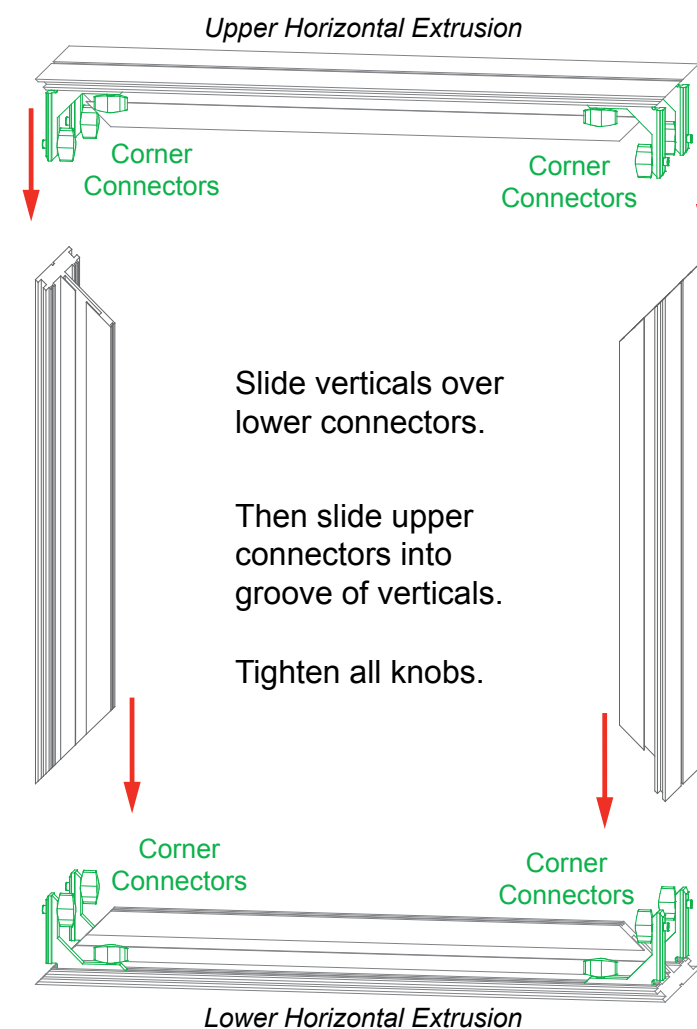
All knobs must be tightened securely to ensure a proper connection.

Corner Connection

- 1) Loosen knobs, then slide vertical extrusions onto **corner connectors** of **lower** horizontal extrusion.
- 2) Slide **corner connectors** of **upper** horizontal extrusion into grooves of vertical extrusions.
- 3) Tighten all knobs to secure connection.

Disassembly

- 1) Loosen knobs on vertical extrusions.
- 2) Slide the vertical extrusions off of **corner connectors** on lower and upper horizontal extrusions.



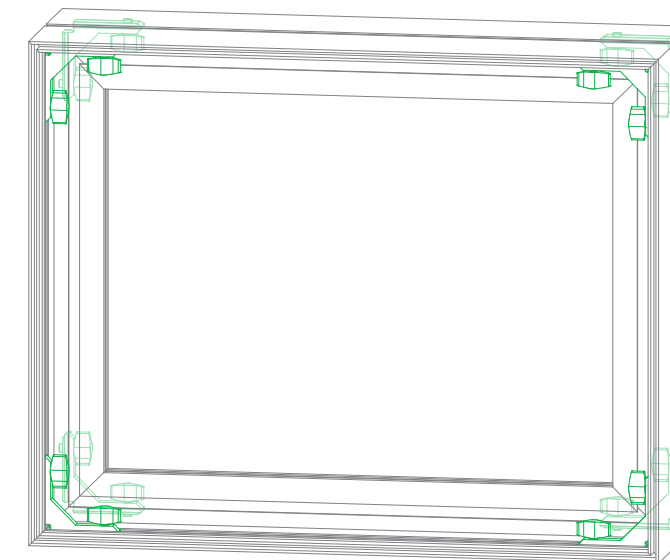
Slide verticals over lower connectors.

Then slide upper connectors into groove of verticals.

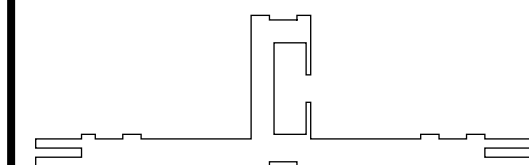
Tighten all knobs.



Adjust connectors if necessary to prevent gaps in connection.

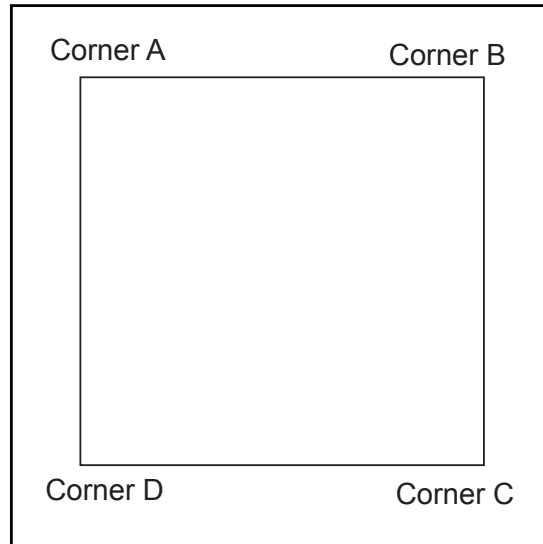


COMPLETED ASSEMBLY

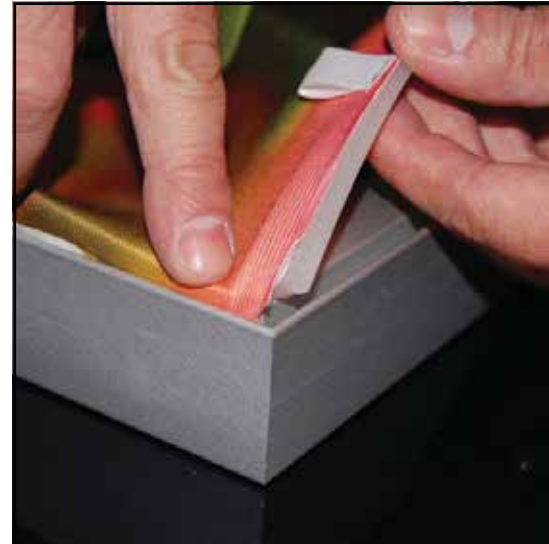


CEI152 Profile

All knobs must be tightened securely to ensure a proper connection.



It is important to first insert graphic into each alternate corner then to the sides of the frame. If this is not done, graphic will not fit into the frame correctly.



Step 1
Insert corner A. Turn edge of graphic so silicon welt is perpendicular to face of graphic. Insert narrow side of welt with fabric to outside into the channel. Repeat for other side of this corner.

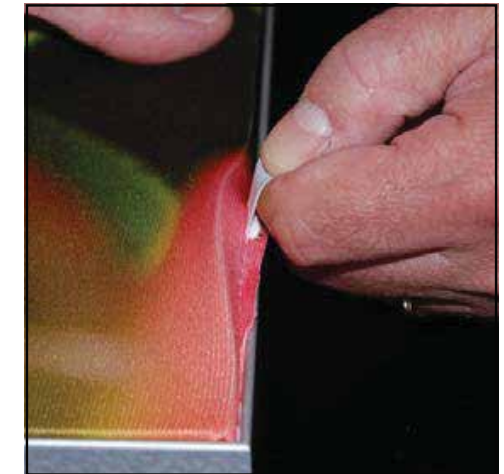


Step 2
Repeat Step 1 for opposite corner C, then insert corner B, followed by corner D, to complete the installation of the corners.



Step 3
Once all corners are inserted, press one silicon edge into channel from corners and work toward the center. Make sure welt is fully inserted into channel. Continue until all sides are done. Smooth out edges of graphic.

Graphic Removal



To remove the graphic from the frame, locate the fabric pull tab. Gently pull up on the tab to remove the fabric.

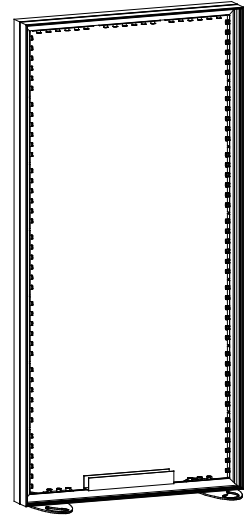
CRATE PACKING

Item	Qty.	Description
13	1	96"h CEI152 Vertical Extrusion
14	1	96"h CEI152 Vertical Extrusion
15	1	46"w CEI152 Horizontal Extrusion
16	1	46"w CEI152 Horizontal Extrusion
17	2	8" x 22" Base Plate
--	2	U-Channel

Steps:

Refer to the CEI152 Frame Assembly general information page.

- 1) Install U-Channel to horizontal [15]. See [U-Channel Attachment](#) detail.
- 2) Connect verticals [13,14] between horizontals [15,16].
- 3) Install Base Plates [17] to bottom of horizontal [15], using bolts & wing nuts.



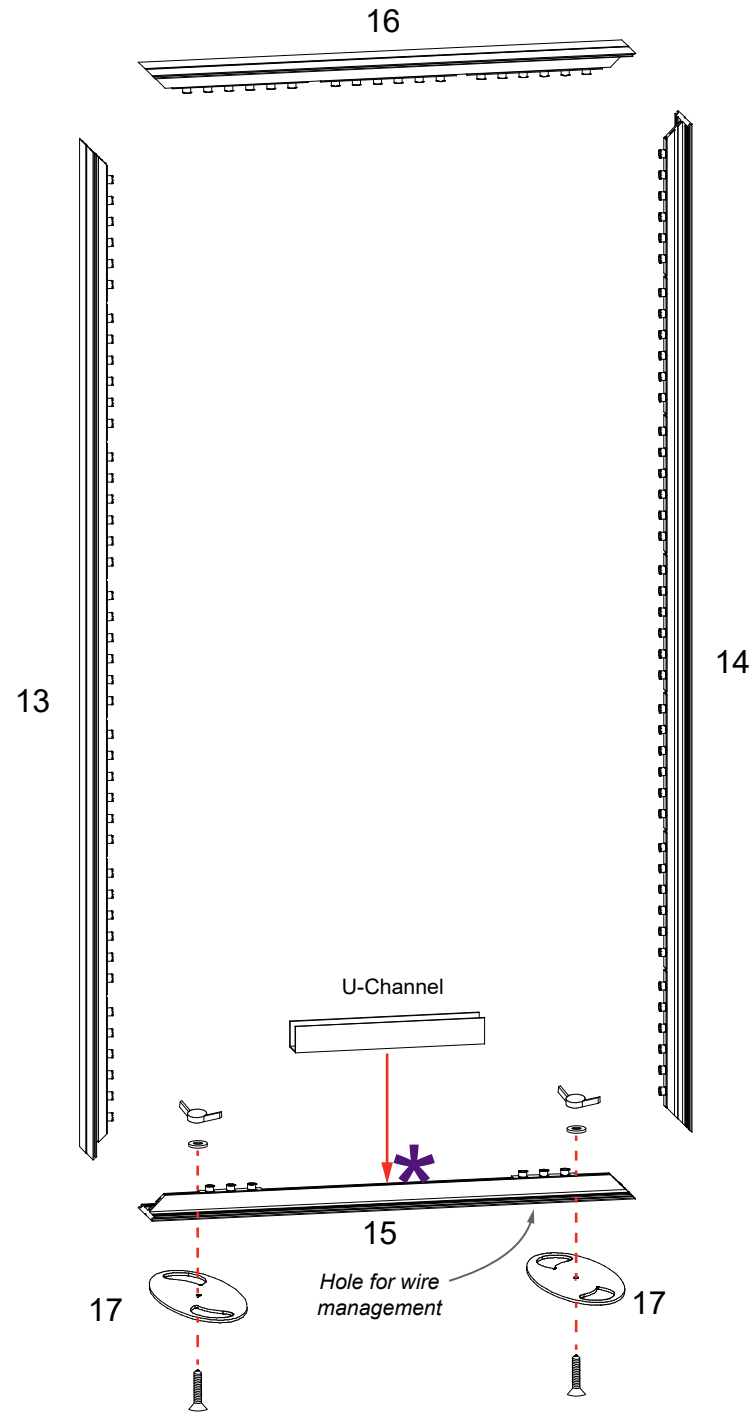
When assembled

*** U-Channel Attachment**

Slide V4 connectors into top groove of horizontal extrusion. Tighten set-screws to secure.

Use bolts to connect U-Channel to horizontal.

Labels in diagram: V4 connector, set screws, bolts.

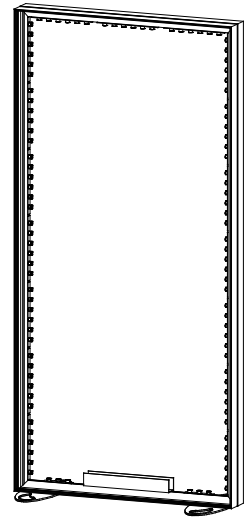


Item	Qty.	Description
18	1	96"h CEI152 Vertical Extrusion
19	1	96"h CEI152 Vertical Extrusion
20	1	46"w CEI152 Horizontal Extrusion
21	1	46"w CEI152 Horizontal Extrusion
22	2	8" x 22" Base Plate
--	2	U-Channel

Steps:

Refer to the CEI152 Frame Assembly general information page.

- 1) Install U-Channel to horizontal [20]. See [U-Channel Attachment](#) detail.
- 2) Connect verticals [18,19] between horizontals [20,21].
- 3) Install Base Plates [22] to bottom of horizontal [20], using bolts & wing nuts.

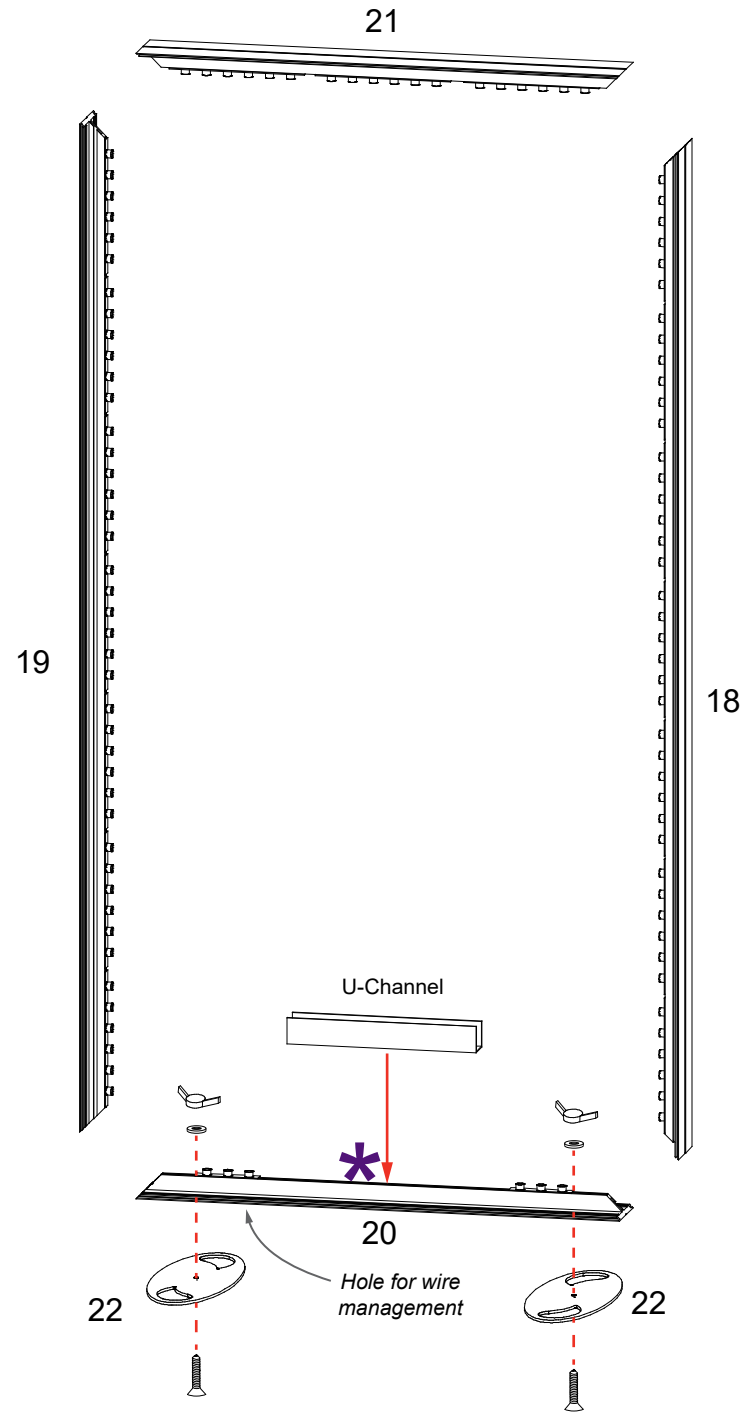


When assembled

*** U-Channel Attachment**

Slide V4 connectors into top groove of horizontal extrusion. Tighten set-screws to secure.

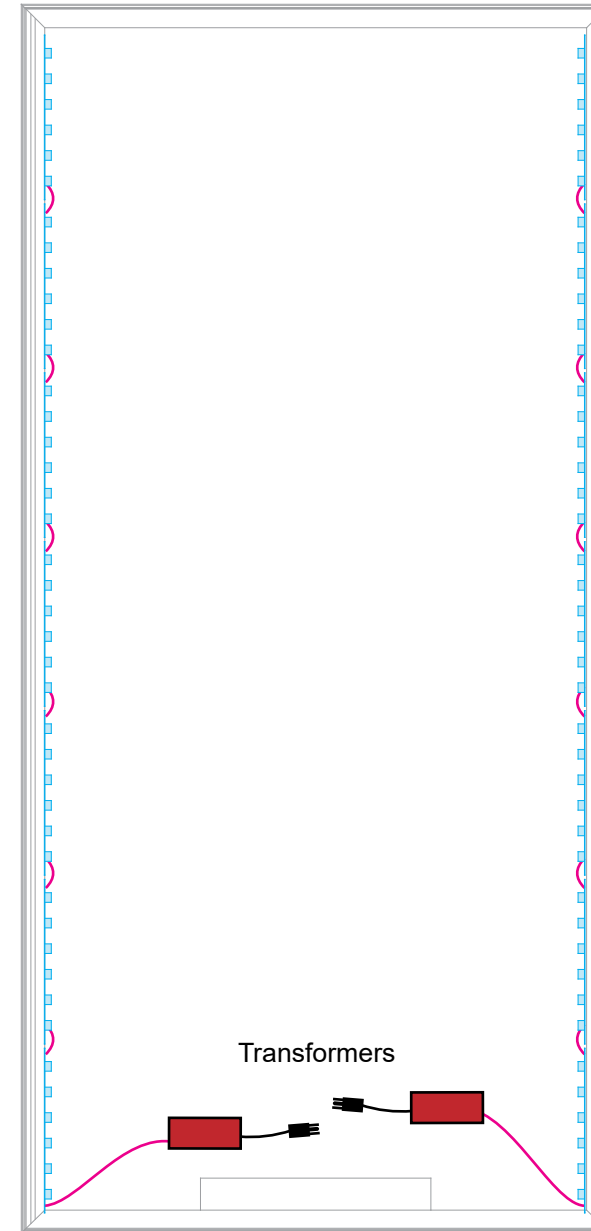
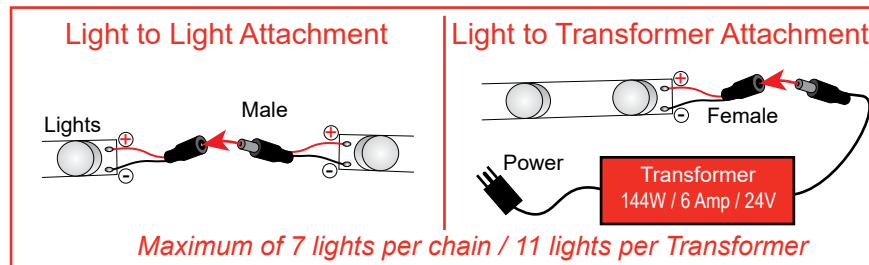
Use bolts to connect U-Channel to horizontal.



AS VIEWED FROM
INSIDE THE BOOTH

Steps:

- 1) Connect power cords to Supernova lights as shown.



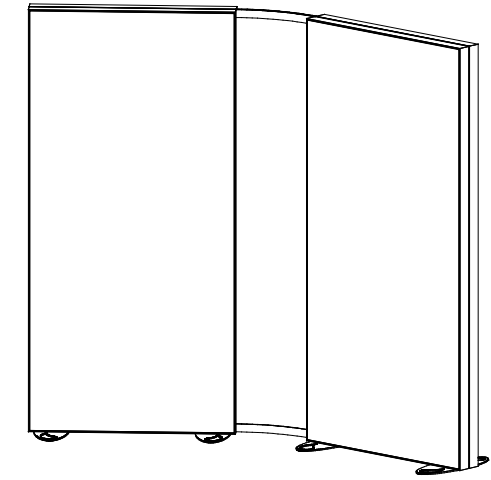
LEFT & RIGHT LIGHTBOXES

Item	Qty.	Description
10	2	19.722"w Z45 curved Horizontal Extrusion

Steps:

- 1) Assemble horizontals [10] between verticals [14,19], inserting **Infill**.
- 2) Apply SEG Graphics to lightbox frames.

Refer to the SEG Installation general information page.



Completed Assembly

